



PV Solar Combiner Box 2 Strings Waterproof DC Combiner Box

ADELS® is a professional PV Solar Combiner Box 2 Strings Waterproof DC Combiner Box manufacturer and supplier in China. IP65 high thermal stability indoor and outdoor distribution box is suitable for photovoltaic power generation applications. Using high quality materials, ASA plastic, durable, adaptable, with good thermal stability.

We have carried out flame retardant, temperature rise, impact resistance, UV resistance and other tests on the products. To confirm the quality of the products, maximize the extension of service life, to provide users with more safe, simple, beautiful, suitable photovoltaic system products. If you have any questions, please feel free to contact us.

Model:FMA-18W PV2/2

ADELS® is PV Solar Combiner Box 2 Strings Waterproof DC Combiner Box manufacturers and suppliers in China who can wholesale PV Solar Combiner Box 2 Strings Waterproof DC Combiner Box.

PV Solar Combiner Box 2 Strings Waterproof DC Combiner Box

Product name: solar combiner box

Color: white

Certificate: TUV

Function: used to solar panel

Amp: 40KA

volt: DC1000V

Cable Standard: 2.5mm² 4.0mm² 6.0mm² 10.0mm²

Up(KV): 3.8

Connecting system: Crimp connection

Test voltage: 1000V

Certification: tuv

Place of Origin: zhejiang

Brand Name: ADELS

Solar combiner box

Wenzhou Feimai Electric Co., Ltd.

Address:No.75 Xinguang Avenue, Xinguang Industrial Zone, Liushi, Yueqing City, Zhejiang Province, P.R.China.

Phone:+86-13968753197

Fax:+86-577-62797770

Tel:+86-577-62797750

E-mail:sale@adels-solar.com

PV Solar Combiner Box 2 Strings Waterproof DC Combiner Box Application

ADELS PV String DC Combiner Boxes are key components in the PV Solar power systems, which are placed between Solar Modules and the Inverters.

PV Solar Combiner Box 2 Strings Waterproof DC Combiner Box Functions

- Simplify the physical wiring between solar panel and inverter
- Fault current protection for each PV String
- Fault alarm
- Easy installation and maintenance
- Efficient Protection Grade IP65/IP66

ADELS Combiner box is waterproof, dust proof and anti-corrosion, withstand harsh environmental exposure

Advantage of Polycarbonate enclosure

- Very high impact resistance
- Easy machining with normal tools
- IP66
- Wide operation temperature range
- Fire Resistance
- Non-conductive
- Good resistance to chemical corrosion
- Light weight
- Excellent insulating properties
- Cost-effective material for harsh environments

Advantage of Powder coated Chromium-Nickel Steel enclosure

- Thickness≥1.2mm Powder coated cold rolled
- Surface finish: with the process of pickling and parkerising 80-120 um
- IP65 waterproof, dust proof, anti-corrosion and UV resistance
- Durable: HRPV series combiner boxes are built to withstand harsh environmental exposure
- Suit for long distance transport

PV Solar Combiner Box 2 Strings Waterproof DC Combiner Box Parameter

Wenzhou Feimai Electric Co., Ltd.

Address:No.75 Xinguang Avenue, Xinguang Industrial Zone, Liushi, Yueqing City, Zhejiang Province, P.R.China.

Phone:+86-13968753197

Fax:+86-577-62797770

Tel:+86-577-62797750

E-mail:sale@adels-solar.com

Electrical Characteristics	
Type	FMA-18W PV2/2 (FMA-18W PVM2/2)
Input	2 string
Output	2 string
Maximum Voltage	DC 1000V
MAX DC Short Circuit Current Per Input (Isc)	15A(Changeable)
Maximum Current Output	32A
Environment	
Operating Temperature	-25°C~+55°C
Humidity	99%
Attitude	2000M
Installation	Wall Mounting
Enclosure	FMA-18W
Material Type	PC/ABS
Degree of Protection	IP65
Dimension(WxHxD)	410x285x140mm
Cable input entry	Pg9 Cable Gland 4-8mm2 /4mm2 MC4 connector
Output Cable Gland	Pg21 Cable Gland(2 holes)
DC Isolator Switch	FMPV32-L2
Rated Insulation Voltage(Ui)	DC 1000V
Rated Current(Ie)	32A
Category	DC-PV2, DC-PV1, DC-21 B
Standard Compliance with Certification	IEC60947-3
	TUV, CE, CB, SAA, ROHS
DC Surge Protection Device	FMDC-T2/3
Max Operation Voltage(Ucpv)	DC 1000V
Standard Compliance with Certification	EN 61643-31 Type 2
Maximum Discharge Current	40 KA
	TUV, CE, CB, ROHS
DC Fuse Holder	FMR1-32
LED Indicator	Yes
Rated Working Voltage	DC 1000V
Fuse Link	10x38mm 15A
Certification	TUV, CE, CB, ROHS

Wenzhou Feimai Electric Co., Ltd.

Address:No.75 Xinguang Avenue, Xinguang Industrial Zone, Liushi, Yueqing City, Zhejiang Province, P.R.China.

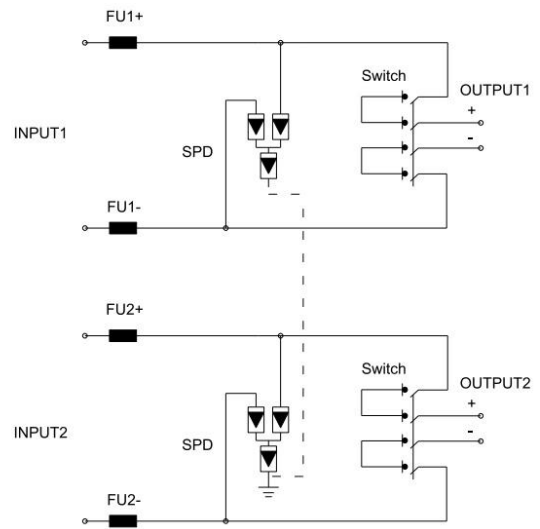
Phone:+86-13968753197

Fax:+86-577-62797770

Tel:+86-577-62797750

E-mail:sale@adels-solar.com

PV Solar Combiner Box 2 Strings Waterproof DC Combiner Box Schematic



Wenzhou Feimai Electric Co., Ltd.

Address:No.75 Xinguang Avenue, Xinguang Industrial Zone, Liushi, Yueqing City, Zhejiang Province, P.R.China.

Phone:+86-13968753197

Fax:+86-577-62797770

Tel:+86-577-62797750

E-mail:sale@adels-solar.com